



ZHEJIANG HANGCHA IMP. & EXP. CO., LTD.

Factory site: 666 Xiangfu Road,  
Hangzhou, Zhejiang, China (311305)

Tel: +86-571-88926735 88926755  
Fax: +86-571-88926789 88132890

sales@hcforklift.com  
www.hcforklift.com



Follow us on  
Facebook



Follow us on  
YouTube



Follow us on  
WeChat



Download "Hangcha  
Forklift" App



ISO14001  
ISO14001:2015



ISO9001  
ISO9001:2015



HANGCHA trucks conform  
to the European Safety  
Requirements.

2023 VERSION / COPYRIGHT 2023/01

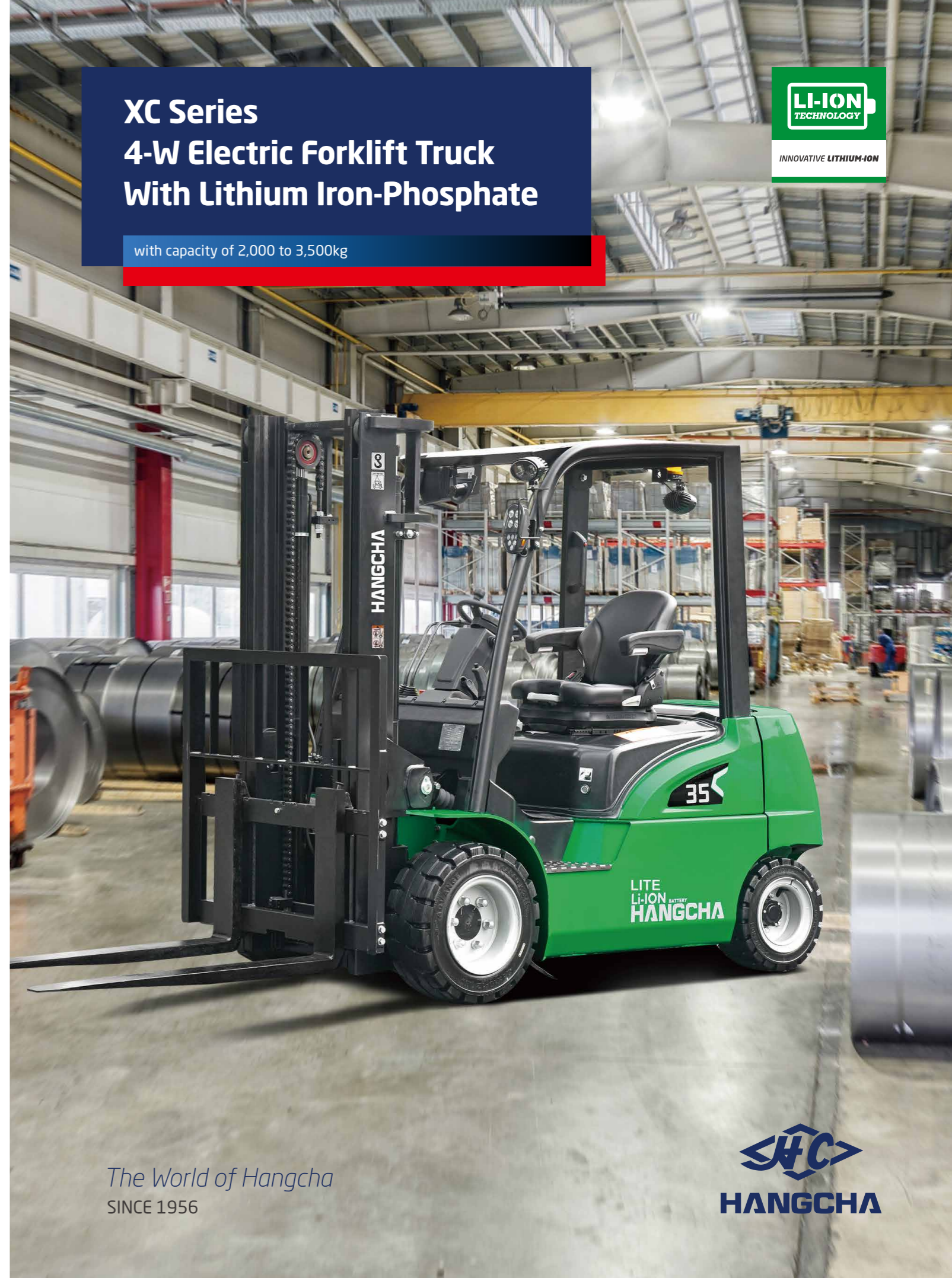
HANGCHA GROUP CO., LTD. reserves the right to make any changes without notice concerning colors, equipment, or specifications detailed in this brochure, or to discontinue individual models. The colors of trucks, delivered may differ slightly from those in brochures.

# XC Series 4-W Electric Forklift Truck With Lithium Iron-Phosphate

with capacity of 2,000 to 3,500kg



INNOVATIVE LITHIUM-ION



The World of Hangcha  
SINCE 1956





# INNOVATIVE SOLUTIONS NEW POWER NOW

The XC series new energy electric forklifts, covering range from 2.0t to 3.5t, is a series of products with new chassis launched by HANGCHA.

Innovative, reliable lithium-ion technology, which are developed jointly by HANGCHA and CATL. Battery cells and modules are from CATL, with reliable quality, exclusively for HANGCHA.

Rapid charging and opportunity charging ensure continuous availability of trucks.

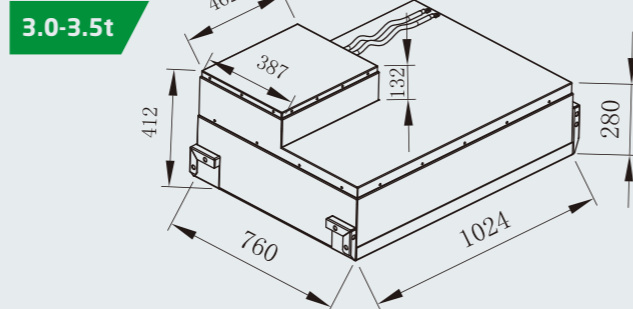
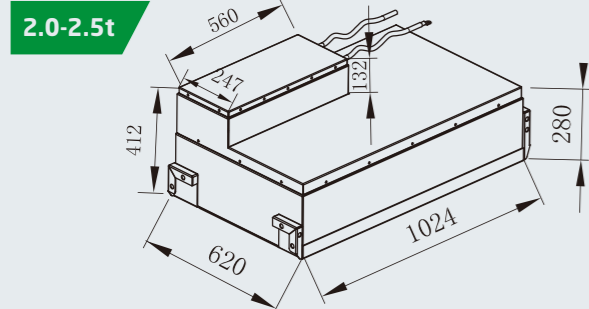
Lightweight design, flexible, high level of energy efficiency, maintenance-free, long service life.



## High capacity CATL battery packs

Integrated Battery Management System (BMS) continually monitors energy management and ensures reliable operation. HANGCHA provides Li-Ion battery with 5 years or 10000 hours warranty.

|       |                      | Battery capacity (kW·h) |
|-------|----------------------|-------------------------|
| Pack1 | 2.0 - 2.5t: standard | 80V*202Ah, 16.16Kwh     |
| Pack2 | 3.0 - 3.5t: standard | 80V*271Ah, 21.68Kwh     |
| Pack3 | 2.0 - 2.5t: optional | 80V*271Ah, 21.68Kwh     |
| Pack4 | 2.0 - 2.5t: optional | 80V*404Ah, 32.32Kwh     |
| Pack5 | 3.0 - 3.5t: optional | 80V*404Ah, 32.32Kwh     |
| Pack6 | 3.0 - 3.5t: optional | 80V*542Ah, 43.36Kwh     |



## Excellent Ergonomic Design

- / The truck has a large operating space more than **50%** larger than the traditional electric truck.
- / The dashboard in the driver's cab is placed overhead and can be seen when the driver lifts her/his head, and the function buttons can be pressed easily.
- / For the optional integrated fingertip control system, the combined operating armrest integrates the emergency cut-off, horn and quadruple thumb switches, etc., is electrically controlled through the CAN bus and is highly reliable.
- / The enlarged brake pedal and appropriate regenerative braking function can effectively reduce the driver's fatigue.



## Advantages



The rear axle is provided with a flexible suspension system (for standard configuration and automatic deceleration at turns improve the driver's comfort).

The high-frequency MOSFET integrated controller ensures smooth and accurate driving and lifting control, and has excellent speed regulation performance, good performance of electronic control matching the motor, functions of regenerative braking, reverse braking and anti-sliding on ramps, etc., and high safety and reliability.

The ultra-high power AC traction motor has a bridge structure. An ultra-high power AC pump motor is used. The system has high efficiency, complete protection functions, built-in speed and temperature sensors, and greatly improved reliability and life.



**RELIABLE  
TRUCKS**



**5 YEARS  
WARRANTY**

## Easy operations and maintenance

Internal Components Protected with Fully-sealed Hood, controllers, motors electrical components, etc. are sealed from dust and water.



IPX4 water resistance rating, suitable for outdoor operation



The hood can be opened at a large angle facilitating the maintenance.







## Safety

The optional OPS system can disable the lowering when the driver leaves the seat and enable high safety.

The standard configuration provides soft landing system. In addition, an optional lift buffering system is provided to protect the goods from falling and damaging the ground.

The handbrake can be optionally equipped with an alarm buzzer to prompt the driver to pull up the handbrake before leaving the truck.



Three horn buttons are provided, which are respectively on the driver's steering wheel, thumb switch equipped armrest (optional) and reverse armrest (optional), for alerting and protecting the surrounding people.



A PIN code should be provided before entering the system. 99 sets of PIN codes are available for the administrator. The truck is highly secured and irrelevant personnel cannot start the truck.



IP67 Protection Rating



Quick charge < 2.0h

## Comfort

Owing to the low center of gravity and good stability, the driver feels comfortable during turning.

The ergonomically designed adjustable steering wheel makes the driver feel good. The seat can be adjusted back and forth by 210mm. The operator can choose the best driving position.

New designed mast increases the wide view by 15%.

With friendly human-computer interfaces, the 4.33" True Color Screen instruments have good visibility and clear readings.

Silence, no pollution, energy saving and other advantages meet the environmental protection requirements.



Grammer fingertip (Optional)



## Main Accessories

The main electrical components such as the controller, contactor, power plug, emergency cut-off switch, dashboard, accelerator, are all products of well-known world brands.

The emergency cut-off switch equipped for the standard configuration complies with EU regulations.

The truck has passed the CE certification.



## Options

- / Lithium packs that can be replaced quickly
- / Pin code or card
- / Super elastic tyre
- / Marked solid tyre
- / Left and right rear view mirrors
- / Backup camera
- / Front/rear blue lights
- / Rear working lights
- / Charger (Titan or Schneider)
- / Reverse armrest
- / Hood with a key lock
- / OPS system
- / Lift buffering system
- / Multi way valves
- / Integrated fingertip control system
- / Widened / heightened load backrest
- / Widened fork carriage
- / Other length forks
- / Full free duplex mast
- / Full free triplex mast
- / Sideshifter
- / Other attachments
- / Grammer MSG531 suspension seat
- / Automatic deceleration at turns

## Standard specification

- / Lithium packs with low temperature electric heating systems
- / High-power AC drive motor
- / High-power AC pump motor
- / Low noise gear pump
- / Multi-function color screen instrument cluster
- / Large integral rubber pedal pad
- / LED combination headlights, LED rear combination taillights
- / Stamped iron hood
- / Soft landing system
- / SPE power selection
- / Charging muzzle meeting national standards
- / Electronic cooling fan
- / Emergency cut-off switch
- / Reversing buzzer
- / Traction pin
- / Folder
- / Load sensing steering system
- / Duplex mast
- / Tilt cylinder jacket





## 2.0~2.5t XC series mast specification

| Type                   | Model     | Lifting height<br>mm | Lowered<br>overall height<br>mm | Overall height            |                        | Free lifting height       |                        | Tilting range |            | Capacity (Mast vertical to ground)<br>Load center@500mm |            |             |            |
|------------------------|-----------|----------------------|---------------------------------|---------------------------|------------------------|---------------------------|------------------------|---------------|------------|---|------------|-------------|------------|
|                        |           |                      |                                 | Without<br>backrest<br>mm | With<br>backrest<br>mm | Without<br>backrest<br>mm | With<br>backrest<br>mm | FWD<br>(°)    | BWD<br>(°) | Single Tire   |            | Double Tire |            |
|                        |           |                      |                                 |                           |                        |                           |                        |               |            | 2.0t<br>kg  | 2.5t<br>kg | 2.0t<br>kg  | 2.5t<br>kg |
| Duplex wide view mast  | XPD25M200 | 2000                 | 1501                            | 2626                      | 3046                   | 140                       | 140                    | 6             | 6          | 2000  | 2500       | 2000        | 2500       |
|                        | XPD25M250 | 2500                 | 1751                            | 3126                      | 3546                   | 140                       | 140                    | 6             | 12         | 2000  | 2500       | 2000        | 2500       |
|                        | XPD25M270 | 2700                 | 1851                            | 3326                      | 3746                   | 140                       | 140                    | 6             | 12         | 2000  | 2500       | 2000        | 2500       |
|                        | XPD25M300 | 3000                 | 2001                            | 3626                      | 4046                   | 140                       | 140                    | 6             | 12         | 2000  | 2500       | 2000        | 2500       |
|                        | XPD25M330 | 3300                 | 2151                            | 3926                      | 4346                   | 140                       | 140                    | 6             | 12         | 2000  | 2500       | 2000        | 2500       |
|                        | XPD25M350 | 3500                 | 2251                            | 4126                      | 4546                   | 140                       | 140                    | 6             | 12         | 2000  | 2500       | 2000        | 2500       |
|                        | XPD25M360 | 3600                 | 2351                            | 4226                      | 4646                   | 140                       | 140                    | 6             | 12         | 2000  | 2500       | 2000        | 2500       |
|                        | XPD25M370 | 3700                 | 2401                            | 4326                      | 4746                   | 140                       | 140                    | 6             | 12         | 2000  | 2500       | 2000        | 2500       |
|                        | XPD25M400 | 4000                 | 2601                            | 4626                      | 5046                   | 140                       | 140                    | 6             | 12         | 2000  | 2500       | 2000        | 2500       |
|                        | XPD25M430 | 4300                 | 2751                            | 4926                      | 5346                   | 140                       | 140                    | 6             | 6          | 2000  | 2500       | 2000        | 2500       |
|                        | XPD25M450 | 4500                 | 2851                            | 5126                      | 5546                   | 140                       | 140                    | 6             | 6          | 2000  | 2450       | 2000        | 2500       |
|                        | XPD25M470 | 4700                 | 2951                            | 5326                      | 5746                   | 140                       | 140                    | 6             | 6          | 1950  | 2350       | 2000        | 2450       |
|                        | XPD25M480 | 4800                 | 3001                            | 5426                      | 5846                   | 140                       | 140                    | 6             | 6          | 1950  | 2350       | 2000        | 2450       |
|                        | XPD25M500 | 5000                 | 3101                            | 5626                      | 6046                   | 140                       | 140                    | 6             | 6          | 1850  | 2300       | 1950        | 2350       |
| XPD25M550              | 5500      | 3351                 | 6126                            | 6546                      | 140                    | 140                       | 3                      | 6             | 1750       | 2150  | 1900       | 2200        |            |
| XPD25M600              | 6000      | 3601                 | 6626                            | 7046                      | 140                    | 140                       | 3                      | 6             | 1550       | 1900  | 1800       | 2000        |            |
| Duplex full-free mast  | XPD25U200 | 2000                 | 1516                            | 2749                      | 3046                   | 842                       | 470                    | 6             | 6          | 2000  | 2500       | 2000        | 2500       |
|                        | XPD25U250 | 2500                 | 1766                            | 3173.5                    | 3546                   | 1092                      | 720                    | 6             | 12         | 2000  | 2500       | 2000        | 2500       |
|                        | XPD25U270 | 2700                 | 1866                            | 3373.5                    | 3746                   | 1192                      | 820                    | 6             | 12         | 2000  | 2500       | 2000        | 2500       |
|                        | XPD25U300 | 3000                 | 2016                            | 3673.5                    | 4046                   | 1342                      | 970                    | 6             | 12         | 2000  | 2500       | 2000        | 2500       |
|                        | XPD25U330 | 3300                 | 2166                            | 3973.5                    | 4346                   | 1492                      | 1120                   | 6             | 12         | 2000  | 2500       | 2000        | 2500       |
|                        | XPD25U350 | 3500                 | 2266                            | 4173.5                    | 4546                   | 1592                      | 1220                   | 6             | 12         | 2000  | 2500       | 2000        | 2500       |
|                        | XPD25U360 | 3600                 | 2316                            | 4273.5                    | 4646                   | 1642                      | 1270                   | 6             | 12         | 2000  | 2500       | 2000        | 2500       |
| XPD25U370              | 3700      | 2366                 | 4373.5                          | 4746                      | 1692                   | 1320                      | 6                      | 12            | 2000       | 2500  | 2000       | 2500        |            |
| Triplex full-free mast | XPD25N400 | 4000                 | 1966                            | 4670.5                    | 5046                   | 1195                      | 920                    | 6             | 6          | 2000  | 2500       | 2000        | 2500       |
|                        | XPD25N430 | 4300                 | 2066                            | 4970.5                    | 5346                   | 1295                      | 1020                   | 6             | 6          | 2000  | 2450       | 2000        | 2500       |
|                        | XPD25N450 | 4500                 | 2116                            | 5170.5                    | 5546                   | 1345                      | 1070                   | 6             | 6          | 2000  | 2350       | 2000        | 2450       |
|                        | XPD25N470 | 4700                 | 2216                            | 5370.5                    | 5746                   | 1445                      | 1170                   | 6             | 6          | 1950  | 2250       | 2000        | 2350       |
|                        | XPD25N480 | 4800                 | 2266                            | 5470.5                    | 5846                   | 1495                      | 1220                   | 6             | 6          | 1950  | 2250       | 2000        | 2350       |
|                        | XPD25N500 | 5000                 | 2366                            | 5670.5                    | 6046                   | 1595                      | 1320                   | 6             | 6          | 1850  | 2100       | 1950        | 2250       |
|                        | XPD25N550 | 5500                 | 2566                            | 6170.5                    | 6546                   | 1795                      | 1520                   | 3             | 6          | 1750  | 2050       | 1900        | 2100       |
|                        | XPD25N600 | 6000                 | 2816                            | 6670.5                    | 7046                   | 2045                      | 1770                   | 3             | 6          | 1550  | 1850       | 1800        | 1950       |
|                        | XPD25N650 | 6500                 | 3016                            | 7170.5                    | 7546                   | 2245                      | 1970                   | 3             | 6          | /   | /          | 1550        | 1800       |
|                        | XPD25N700 | 7000                 | 3266                            | 7766                      | 8046                   | 2695                      | 2220                   | 3             | 6          | /   | /          | 1150        | 1450       |

With sideshifter minus 200Kg,with integral sideshifter minus 150kg.

## 3.0~3.5t XC series mast specification

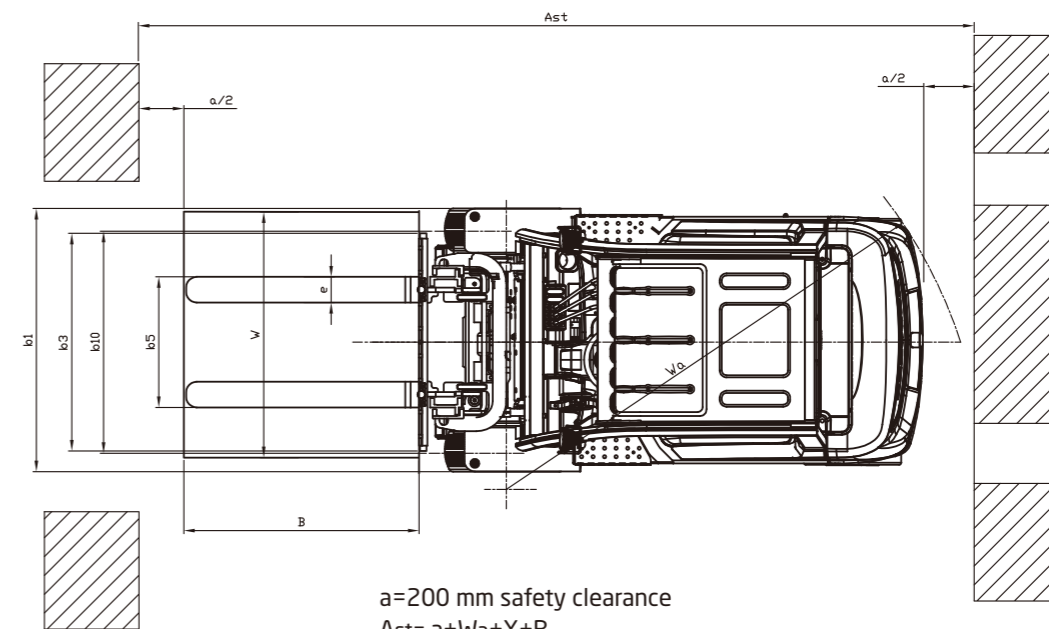
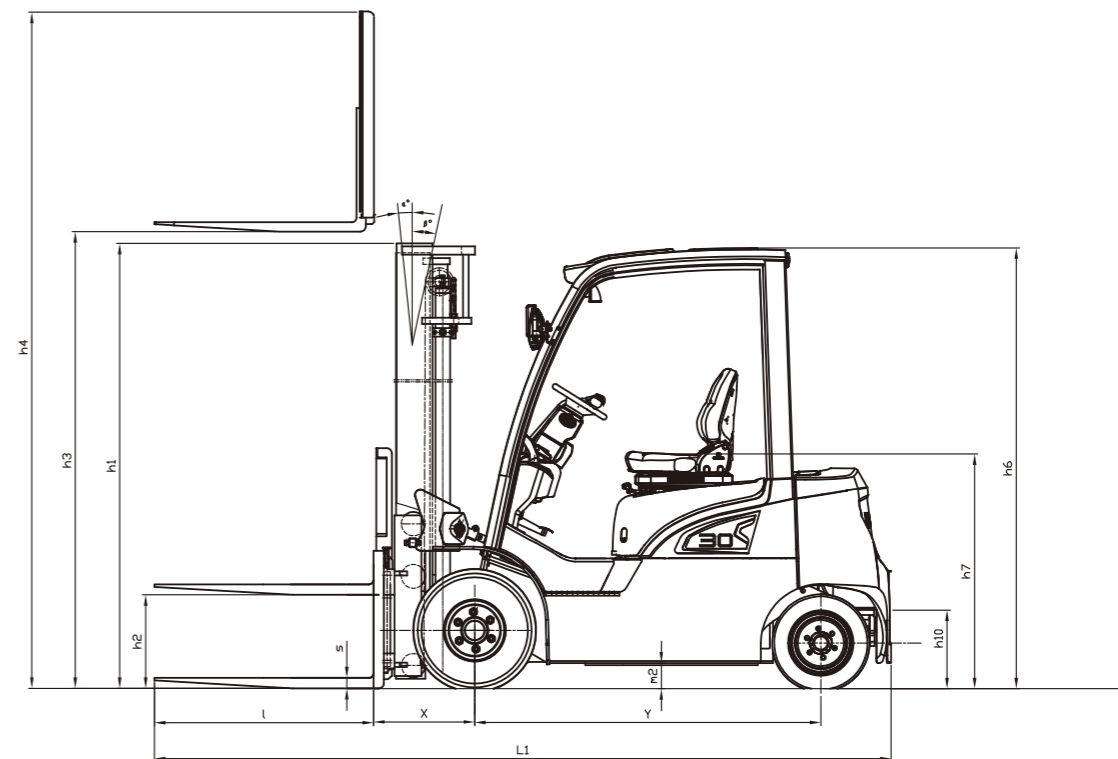
| Type                   | Model                 | Lifting height<br>mm | Lowered<br>overall height<br>mm | Overall height            |                        | Free lifting height       |                        | Tilting range |            | Capacity (Mast vertical to ground)<br>Load center@500mm |            |             |            |
|------------------------|-----------------------|----------------------|---------------------------------|---------------------------|------------------------|---------------------------|------------------------|---------------|------------|---|------------|-------------|------------|
|                        |                       |                      |                                 | Without<br>backrest<br>mm | With<br>backrest<br>mm | Without<br>backrest<br>mm | With<br>backrest<br>mm | FWD<br>(°)    | BWD<br>(°) | Single Tire   |            | Double Tire |            |
|                        |                       |                      |                                 |                           |                        |                           |                        |               |            | 3.0t<br>kg  | 3.5t<br>kg | 3.0t<br>kg  | 3.5t<br>kg |
| Duplex wide view mast  | XPD35M200             | 2000                 | 1651                            | 2842                      | 3145                   | 145                       | 150                    | 6             | 6          | 3000  | 3500       | 3000        | 3500       |
|                        | XPD35M250             | 2500                 | 1901                            | 3342                      | 3645                   | 145                       | 150                    | 6             | 12         | 3000  | 3500       | 3000        | 3500       |
|                        | XPD35M270             | 2700                 | 2001                            | 3542                      | 3845                   | 145                       | 150                    | 6             | 12         | 3000  | 3500       | 3000        | 3500       |
|                        | XPD35M300             | 3000                 | 2151                            | 3842                      | 4145                   | 145                       | 150                    | 6             | 12         | 3000  | 3500       | 3000        | 3500       |
|                        | XPD35M330             | 3300                 | 2301                            | 4142                      | 4445                   | 145                       | 150                    | 6             | 12         | 3000  | 3500       | 3000        | 3500       |
|                        | XPD35M360             | 3600                 | 2451                            | 4442                      | 4745                   | 145                       | 150                    | 6             | 12         | 3000  | 3500       | 3000        | 3500       |
|                        | XPD35M400             | 4000                 | 2751                            | 4842                      | 5145                   | 145                       | 150                    | 6             | 12         | 3000  | 3500       | 3000        | 3500       |
|                        | XPD35M430             | 4300                 | 2901                            | 5142                      | 5445                   | 145                       | 150                    | 6             | 6          | 3000  | 3400       | 3000        | 3500       |
|                        | XPD35M450             | 4500                 | 3001                            | 5342                      | 5645                   | 145                       | 150                    | 6             | 6          | 3000  | 3300       | 3000        | 3400       |
|                        | XPD35M480             | 4800                 | 3151                            | 5642                      | 5945                   | 145                       | 150                    | 6             | 6          | 2950  | 3200       | 3000        | 3300       |
|                        | XPD35M500             | 5000                 | 3251                            | 5842                      | 6145                   | 145                       | 150                    | 6             | 6          | 2850  | 3100       | 2900        | 3200       |
|                        | XPD35M550             | 5500                 | 3501                            | 6342                      | 6645                   | 145                       | 150                    | 3             | 6          | 2670  | 3000       | 2750        | 3100       |
|                        | XPD35M600             | 6000                 | 3751                            | 6842                      | 7145                   | 145                       | 150                    | 3             | 6          | 2350  | 2650       | 2500        | 2800       |
|                        | Duplex full-free mast | XPD35U250            | 2500                            | 1916                      | 3391                   | 3645                      | 1025                   | 771           | 6          | 12  | 3000       | 3500        | 3000       |
| XPD35U270              |                       | 2700                 | 2016                            | 3591                      | 3845                   | 1125                      | 871                    | 6             | 12         | 3000  | 3500       | 3000        | 3500       |
| XPD35U300              |                       | 3000                 | 2166                            | 3891                      | 4145                   | 1275                      | 1021                   | 6             | 12         | 3000  | 3500       | 3000        | 3500       |
| XPD35U330              |                       | 3300                 | 2316                            | 4191                      | 4445                   | 1425                      | 1171                   | 6             | 12         | 3000  | 3500       | 3000        | 3500       |
| XPD35U360              |                       | 3600                 | 2466                            | 4491                      | 4745                   | 1575                      | 1321                   | 6             | 12         | 3000  | 3500       | 3000        | 3500       |
| XPD35U400              |                       | 4000                 | 2716                            | 4891                      | 5145                   | 1825                      | 1571                   | 6             | 12         | 3000  | 3500       | 3000        | 3500       |
| XPD35N400              |                       | 4000                 | 2051                            | 4891                      | 5145                   | 1160                      | 906                    | 6             | 6          | 3000  | 3400       | 3000        | 3500       |
| Triplex full-free mast | XPD35N430             | 4300                 | 2151                            | 5191                      | 5445                   | 1260                      | 1006                   | 6             | 6          | 3000  | 3300       | 3000        | 3400       |
|                        | XPD35N450             | 4500                 | 2201                            | 5491                      | 5645                   | 1310                      | 1056                   | 6             | 6          | 3000  | 3200       | 3000        | 3300       |
|                        | XPD35N470             | 4700                 | 2301                            | 5591                      | 5845                   | 1410                      | 1156                   | 6             | 6          | 2900  | 3100       | 2950        | 3200       |
|                        | XPD35N480             | 4800                 | 2351                            | 5691                      | 5945                   | 1460                      | 1206                   | 6             | 6          | 2900  | 3100       | 2950        | 3200       |
|                        | XPD35N500             | 5000                 | 2451                            | 5891                      | 6145                   | 1560                      | 1306                   | 6             | 6          | 2850  | 3050       | 2900        | 3150       |
|                        | XPD35N550             | 5500                 | 2651                            | 6391                      | 6645                   | 1760                      | 1506                   | 3             | 6          | 2670  | 3000       | 2750        | 3100       |
|                        | XPD35N600             | 6000                 | 2901                            | 6891                      | 7145                   | 2010                      | 1756                   | 3             | 6          | 2350  | 2650       | 2500        | 2800       |
| XPD35N650              | 6500                  | 3151                 | 7391                            | 7645                      | 2260                   | 2006                      | 3                      | 6             | /          | /   | 2200       | 2400        |            |
| XPD35N700              | 7000                  | 3401                 | 7891                            | 8145                      | 2510                   | 2256                      | 3                      | 6             | /          | /   | 1850       | 2050        |            |

With sideshifter minus 200Kg,with integral sideshifter minus 150kg.



# XC Series Electric Forklift

|                     |   | HANGCHA GROUP CO.,LTD.  |                           |                           |                                |                                |             |
|---------------------|---|---|---------------------------|---------------------------|--------------------------------|--------------------------------|-------------|
| Distinguishing mark | 1.1   | Manufacturer  |                           |                           |                                |                                |             |
|                     | 1.2   | Manufacturers type designation                                  | CPD20-XD6-SI21            | CPD25-XD6-SI21            | CPD30-XD6-SI21                 | CPD35-XD6-SI21                 |             |
|                     | 1.3   | Drive: electric (battery or mains), diesel, petrol, fuel gas    | Electric                  | Electric                  | Electric                       | Electric                       |             |
|                     | 1.4   | Operator type: hand, pedestrian, standing, seated, order-picker | Seated                    | Seated                    | Seated                         | Seated                         |             |
|                     | 1.5   | Load capacity/rated load  | Q (kg)                    | 2000                      | 2500                           | 3000                           | 3500        |
|                     | 1.6   | Load centre distance  | c (mm)                    | 500                       | 500                            | 500                            | 500         |
|                     | 1.7   | Load distance, centre of drive axle to fork                     | x (mm)                    | 444                       | 444                            | 477                            | 482         |
|                     | 1.8   | Wheelbase   | y (mm)                    | 1520                      | 1520                           | 1650                           | 1650        |
| Weight              | 2.1   | Service Weight  | kg                        | 3620                      | 3920                           | 4740                           | 5080        |
|                     | 2.2   | Axle loading, laden front/rear                                  | kg                        | 5040/680                  | 5820/700                       | 6745/1095                      | 7800/880    |
|                     | 2.3   | Axle loading, unladen front/rear                                | kg                        | 1620/2000                 | 1670/2250                      | 2010/2730                      | 2100/2980   |
| Tyres, chassis      | 3.1   | Tyres: solid rubber, super elastic, pneumatic, polyurethane     | Pneumatic                 | Pneumatic                 | Pneumatic                      | Super elastic                  |             |
|                     | 3.2   | Tyre size, front  | 23×9-10                   | 23×9-10                   | 23×9-10                        | 23×10-12                       |             |
|                     | 3.3   | Tyre size, rear   | 18×7-8                    | 18×7-8                    | 18×7-8                         | 200/50-10                      |             |
|                     | 3.4   | Wheels, number front rear (x = driven wheels)                   | 2x/2                      | 2x/2                      | 2x/2                           | 2x/2                           |             |
|                     | 3.5   | Tread, front  | b <sub>10</sub> (mm)      | 1068                      | 1068                           | 1068                           | 1068        |
|                     | 3.6   | Tread, rear   | b <sub>11</sub> (mm)      | 960                       | 960                            | 960                            | 960         |
| Dimensions          | 4.1   | Tilt of mast/fork carriage forward/backward                     | α/β(°)                    | 6/12                      | 6/12                           | 6/12                           | 6/12        |
|                     | 4.2   | Height, mast lowered  | h <sub>1</sub> (mm)       | 2001                      | 2001                           | 2151                           | 2151        |
|                     | 4.3   | Free lift   | h <sub>2</sub> (mm)       | 140                       | 140                            | 140                            | 145         |
|                     | 4.4   | Lift  | h <sub>3</sub> (mm)       | 3000                      | 3000                           | 3000                           | 3000        |
|                     | 4.5   | Height, mast extended   | h <sub>4</sub> (mm)       | 4040                      | 4040                           | 4135                           | 4135        |
|                     | 4.7   | Height of overhead guard STD.                                   | h <sub>6</sub> (mm)       | 2100                      | 2100                           | 2100                           | 2100        |
|                     | 4.8   | Seat height/stand height  | h <sub>7</sub> (mm)       | 1120                      | 1120                           | 1120                           | 1120        |
|                     | 4.9   | Coupling height   | h <sub>10</sub> (mm)      | 430                       | 430                            | 430                            | 430         |
|                     | 4.10  | Overall length  | l <sub>1</sub> (mm)       | 3370                      | 3370                           | 3550                           | 3550        |
|                     | 4.11  | Length to face of forks   | l <sub>2</sub> (mm)       | 2300                      | 2300                           | 2480                           | 2480        |
|                     | 4.12  | Overall width   | b <sub>1</sub> (mm)       | 1252                      | 1252                           | 1252                           | 1298        |
|                     | 4.13  | Fork dimensions   | s/e/l (mm)                | 40/122/1070               | 40/122/1070                    | 45/122/1070                    | 50/122/1070 |
|                     | 4.14  | Fork carriage DIN 15 173 --- ISO 2328, class/type A,B           |                           | ISO2328 2A                | ISO2328 2A                     | ISO2328 3A                     | ISO2328 3A  |
|                     | 4.15  | Fork-carriage width   | b <sub>3</sub> (mm)       | 1038                      | 1038                           | 1100                           | 1100        |
|                     | 4.16  | Distance between fork-arms                                      | b <sub>5</sub> (mm)       | 290/1100                  | 290/1100                       | 290/1100                       | 290/1100    |
| 4.17                | Ground clearance, laden, below mast           | m <sub>1</sub> (mm)   | 120                       | 120                       | 120                            | 120                            |             |
| 4.18                | Ground clearance, centre of wheelbase         | m <sub>2</sub> (mm)   | 125                       | 125                       | 125                            | 125                            |             |
| 4.19                | Aisle width for pallets 1000 x 1200 crossways | A <sub>st</sub> (mm)  | 3734                      | 3734                      | 3950                           | 3955                           |             |
| 4.20                | Aisle width for pallets 800 x 1200 Lengthways | A <sub>st</sub> (mm)  | 3934                      | 3934                      | 4150                           | 4155                           |             |
| 4.21                | Turning radius                                | W <sub>a</sub> (mm)   | 2090                      | 2090                      | 2270                           | 2270                           |             |
| 4.22                | Internal turning radius                       | b <sub>13</sub> (mm)  | 655                       | 655                       | 730                            | 730                            |             |
| Performance Data    | 5.1   | Travel speed, laden/unladen                                     | km/h                      | 14/15                     | 14/15                          | 14/15                          | 14/15       |
|                     | 5.2   | Lift speed, laden/unladen                                       | m/s                       | 0.350/0.450               | 0.3500/0.450                   | 0.330/0.430                    | 0.330/0.430 |
|                     | 5.3   | Lowering speed, laden/unladen                                   | m/s                       | 0.450/0.420               | 0.470/0.420                    | 0.450/0.420                    | 0.470/0.420 |
|                     | 5.4   | Drawbar pull, laden/unladen                                     | N                         | 13000/14000               | 17000/18000                    | 20000/21000                    | 20500/21000 |
|                     | 5.5   | Max. Drawbar pull, laden/unladen                                | N                         | 15000                     | 19000                          | 20000                          | 20000       |
|                     | 5.6   | Gradeability, laden/unladen                                     | %                         | 14/15                     | 14/15                          | 14/15                          | 14/15       |
|                     | 5.7   | Service brake   |                           | Hydraulic                 | Hydraulic                      | Hydraulic                      | Hydraulic   |
|                     | 5.8   | Parking brake   |                           | Mechanical                | Mechanical                     | Mechanical                     | Mechanical  |
| Electric engine     | 6.1   | Drive motor rating S2 60 min                                    | kW                        | 11AC                      | 11AC                           | 11AC                           | 11AC        |
|                     | 6.2   | Lift motor rating at S3 15%                                     | kW                        | 21AC                      | 21AC                           | 21AC                           | 21AC        |
|                     | 6.3   | Battery voltage, Std.   | V/Ah                      | 80/202                    | 80/202                         | 80/271                         | 80/271      |
|                     | 6.4   | Standard Weight of lithium iron phosphate battery               | kg                        | 200                       | 200                            | 240                            | 240         |
|                     | 6.5   | Min. battery weight   | kg                        | 200                       | 200                            | 240                            | 240         |
|                     |   | Max. battery weight   | kg                        | 280                       | 280                            | 380                            | 380         |
|                     | 6.6   | Type of drive control   |                           | MOSFET/AC                 | MOSFET/AC                      | MOSFET/AC                      | MOSFET/AC   |
|                     | 6.7   | Manufacturer  |                           | INMOTION                  | INMOTION                       | INMOTION                       | INMOTION    |
| 6.8                 | Control Model                                 |   | ACS80M-35P+<br>ACS80M-23P | ACS80M-35P+<br>ACS80M-23P | ACS80L-440C-35P+<br>ACS80M-23P | ACS80L-440C-35P+<br>ACS80M-23P |             |
| Addition data       | 7.1   | Operating pressure for attachments                              | bar                       | 175                       | 175                            | 175                            | 175         |
|                     | 7.2   | Oil volume for attachments                                      | l/min                     | 65                        | 65                             | 65                             | 65          |
|                     | 7.3   | Hydraulic Tank - capacity (drain & refill)                      | liter                     | 28                        | 28                             | 28                             | 28          |
|                     | 7.4   | Sound level at the driver's ear according to EN / DIN 12 053    | dB (A)                    | 75                        | 75                             | 75                             | 75          |
|                     | 7.5   | Towing coupling, type DIN                                       |                           | Φ25 Pin                   | Φ25 Pin                        | Φ25 Pin                        | Φ25 Pin     |



a=200 mm safety clearance  
Ast= a+Wa+X+B

3M duplex mast

