



A series Medium Level Order Picker

with capacities of 1,000kg



ZHEJIANG HANGCHA IMP. & EXP. CO., LTD.

Factory site: 666 Xiangfu Road,
Hangzhou, Zhejiang, China (311305)

Tel: +86-571-88926735 88926755
Fax: +86-571-88926789 88132890

sales@hcforklift.com
www.hcforklift.com

Follow us on Facebook  Follow us on YouTube  Follow us on WeChat  Download "Hangcha Forklift" App  

  
ISO14001:2015 ISO9001:2015 HANGCHA trucks conform to the European Safety Requirements.

2023 VERSION 1/COPYRIGHT 2023/01

HANGCHA GROUP CO., LTD. reserves the right to make any changes without notice concerning colors, equipment, or specifications detailed in this brochure, or to discontinue individual models. The colors of trucks, delivered may differ slightly from those in brochures.

The World of Hangcha



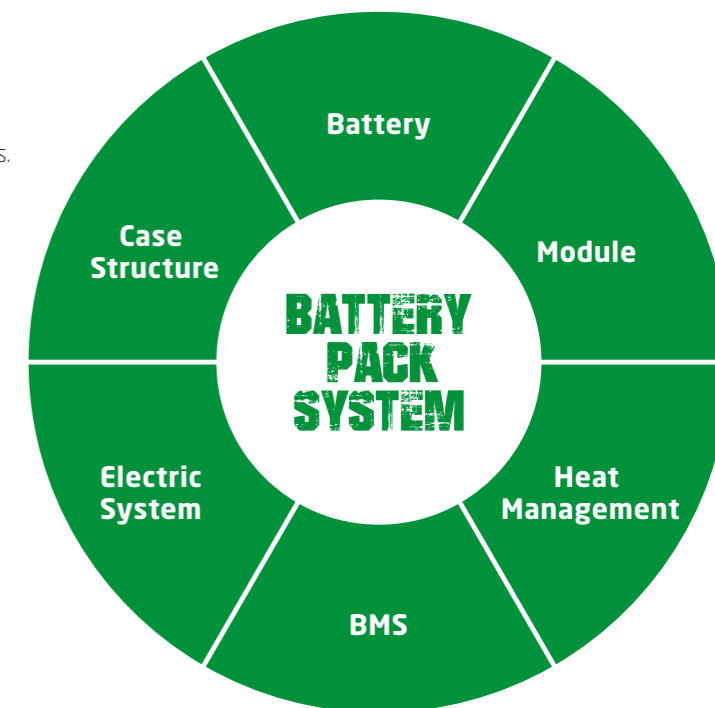
LET THE LITHIUM POWER TAKE OVER



INNOVATIVE SOLUTIONS NEW POWER NOW

Innovative, reliable lithium-ion technology (Lithium Iron-Phosphate), which are developed jointly by HANGCHA and CATL. Battery cells and modules are from CATL, with reliable quality, exclusively for HANGCHA.

- / We use square lithium iron phosphate batteries and modules used in large quantities by commercial vehicles in mature economies.
- / The module uses an aluminum alloy frame which is sturdy, lightweight and with excellent heat dissipation.
- / Safe and effective: Charging efficiency as high as 98%, thermal runaway temperature 600 °C or above.
- / Adapted to low temperatures: Comes standard with an electrical heating feature, ensuring normal operation in low temperatures.
- / Quick charging: 2 hours full charge, economic use of each break.
- / Long-working: 4000 charging cycles, capacity retention greater than 80%.
- / Maintenance-free: Battery does not require manual maintenance.
- / Green and clean: Pollution-free, zero emissions.



Li-Ion
2 hours
100%

Lead-acid batteries
8-10 hours 100%

Rapid charging and opportunity charging ensure continuous availability of vehicles.

Li-Ion powered forklifts are always available. They allow for fast full charging or boost charging (100 % charge in 2 hours). They are maintenance free and do not require a battery change when used for multi-shift operations.

Li-Ion Battery Pack specification

Type		CJD10-AC3-M1I	CJD10-AC3-M1KI	CJD10-AC4-M2I	CJD10-AC4-M2KI
Li-Ion battery	V/Ah	25.76/542	25.76/542	25.76/542	25.76/542
Titans charger		SPC-24100Q	SPC-24100Q	SPC-24100Q	SPC-24100Q



HANGCHA provides Li-Ion battery (LiFePO4) with 5 years or 10000 hours warranty.





A series Medium Level Order Picker

The A series medium level order picker is a type of high-end truck of warehouse equipment.

The truck features complete safety protection system, excellent ergonomic design, and cutting-edge control system. With reliability, stability, comfort, safety, and excellent performance, it is suitable for order picking operations for low and medium-level automatic storage & retrieval system with height below 5m.

Move freely, Lift freely

High Performance

- / Maximum full-load travel speed can reach 9km/h, which increases efficiency substantially.
- / The AC driving motor features excellent acceleration performance, outstanding climbing ability, low heat emission, and is brushless, and maintenance-free.
- / The cutting-edge CURTIS AC control system realizes accurate and stable control, and higher efficiency.
- / The CANBUS structure makes communication of the entire truck faster and more reliable.





Standard Specification

- / AC driving motor
- / CURTIS controller
- / Free accelerator lever (with sensor switch)
- / Automatic deceleration at turns
- / CURTIS instrument
- / Chain switch
- / Side barriers switch
- / Rear-view mirror
- / LED lamp
- / Emergency power off switch
- / Alarm light
- / Horn
- / Safety pedal
- / Tilt angle detection system
- / Side barriers
- / File folder
- / Back cushion
- / Cup holder
- / Electrostatic belt
- / Electromagnetic brake
- / Battery side roll out

Safety

- / The tilt angle detection system, as standard configuration, makes the truck stop operation when it tilts forward / backward or left / right to certain angle, and the operation may not be resumed until the cab is lowered to the level below certain height.
- / Side barriers with detecting switch are provided at both left and right sides, and the truck works only when such side barriers are lowered to positions.
- / Mast chain of 10 times of safety factor is provided, including chain safety switch.
- / Travel speed and lifting speed are interlinked, with lower travel speed as lifting height increases, also with lower acceleration.
- / The proportional deceleration function at turns, as standard configuration, guarantees stability and safety when the truck turns.
- / The safety pedal of standard configuration must be treaded down to enable other operations, so as to increase safety.
- / The hydraulic system has an emergency manual lowering valve, which can be operated at rear of the truck to lower the cab.

Maintenance

- / The brushless, maintenance-free AC driving motor reduces operation cost significantly.
- / The meter integrating battery indicator, timer, and fault self-diagnosis is convenient for maintenance.

Comfort

- / Buffering and deceleration functions of the mast when it rises / descends to the top / bottom can avoid impact and thus increase comfort.
- / Rising / descending speed of both the cab and fork can be regulated in proportion to control accuracy.
- / LED cab top lamp and side lamp, as standard configuration, feature attractive appearance and bright illumination, and are helpful for order picking operations in space with poor lighting.
- / The CURTIS multi-functional instrument, as standard configuration, has multiple functions including speed selection and wheel position display, and can clearly display various types of information about the truck.
- / With a sub-operation system, rising / descending of the cab and fork can be manipulated to facilitate order picking operations.

Reliability

- / The high-strength steel plate framed structure of chassis features a long service life.
- / All wires and cables have reliable protection, which increases reliability of electrical system significantly.
- / Switches, plug connectors, meters, and other important parts are all imported from abroad, with excellent performance and reliable quality.



Order picker works only when the side barriers are all lowered



The FREE accelerator lever with sensor switch, as standard configuration, can prevent mis-operation during the work



The rear hood can be removed easily to facilitate maintenance work on parts such as hydraulic unit, electronic control system and the motor



LED top lamp can provide bright operating environment



Battery side roll out



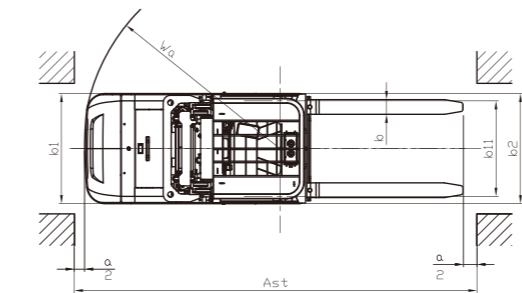
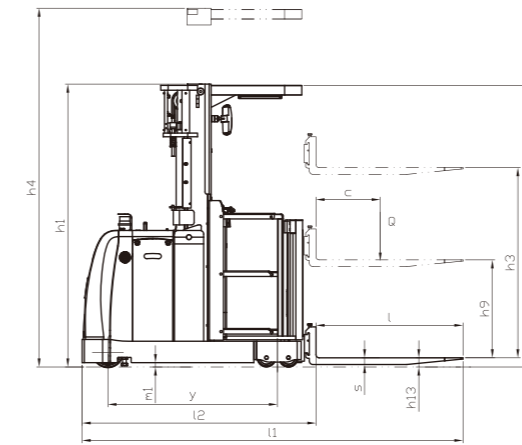
Better vision for operation

A Series Medium Level Order Picker

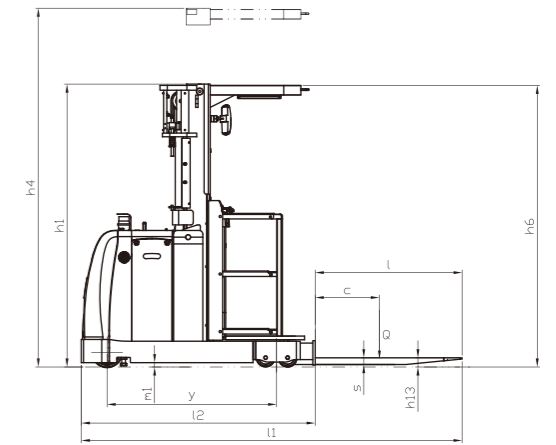
Distinguishing mark	1.1	Manufacturer	HANGCHA GROUP CO.,LTD.				
	1.2	Manufacturer's type designation	CJD10-AC3-M1	CJD10-AC3-M1K*	CJD10-AC4-M2	CJD10-AC4-M2K*	
	1.3	Drive:electric (battery or mains),diesel,petrol,fuel gas	Electric	Electric	Electric	Electric	
	1.4	Operator type:hand,pedestrian,standing,seated,order-picker	Order-picker	Order-picker	Order-picker	Order-picker	
	1.5	Rated capacity/rated load	Q(t)	1	1	1	1
	1.6	Load centre distance	c(mm)	600	600	600	600
	1.8	Load distance, centre of drive axle to fork	x(mm)	225	225	225	225
	1.9	Wheelbase	y(mm)	1385	1385	1385	1385
	Weight	2.1	Service weight	kg	2516	2516	2805
Tyres, chassis	3.1	Tyres: solid rubber, superelastic, pneumatic, polyurethane	PU	PU	PU	PU	
	3.2	Tyre size, front	Ø250×100	Ø250×100	Ø250×100	Ø250×100	
	3.3	Tyre size, rear	Ø152.4×76.2	Ø152.4×76.2	Ø152.4×76.2	Ø152.4×76.2	
	3.5	Wheels, number front/rear (x = driven wheels)	1x/4	1x/4	1x/4	1x/4	
Dimensions	3.7	Tread,rear	b11(mm)	780	780	880	880
	4.2	Height,mast lowered	h1(mm)	2310	2310	3060	3060
	4.4	Lift	h3(mm)	3000	3000	4500	4500
	4.5	Height, mast extended	h4(mm)	5310	5310	7560	7560
	4.7	Height of overhead guard (cabin)	h6(mm)	2300	2300	2300	2300
	4.11	Additional lift	h9(mm)	800	/	800	/
	4.15	Height,lowered	h13(mm)	75	75	75	75
	4.19	Overall length	l1(mm)	3110	3110	3110	3110
	4.20	Length to face of forks	l2(mm)	1910	1910	1910	1910
	4.21	Overall width	b1/b2(mm)	900/900	900/900	900/1000	900/1000
	4.22	Fork dimensions DIN ISO 2331	s/e/l(mm)	55/120/1200	55/120/1200	55/120/1200	55/120/1200
	4.25	Distance between fork-arms	b5(mm)	240~800	540	240~800	540
	4.31	Ground clearance,laden,below mast	m1(mm)	35	35	35	35
	4.34.1	Aisle width for pallets 1000 x 1200 crossways	Ast(mm)	3235	3235	3235	3235
	4.34.2	Aisle width for pallets 800 x 1200 lengthways	Ast(mm)	3357	3357	3357	3357
4.35	Turning radius	Wa(mm)	1610	1610	1610	1610	
Performance Data	5.1	Travel speed,laden/unladen	km/h	9/9	9/9	9/9	9/9
	5.2	Lift speed,laden/unladen	m/s	0.115/0.150	0.115/0.150	0.200/0.260	0.200/0.260
	5.3	Lowering speed,lade/unladen	m/s	0.230/0.225	0.230/0.225	0.320/0.300	0.320/0.300
	5.7	Gradeability,laden/unladen	%	5/10	5/10	5/10	5/10
	5.10	Service brake		Electromagnetic	Electromagnetic	Electromagnetic	Electromagnetic
Electric-engine	6.1	Drive motor rating S2 60 min	kW	3	3	3	3
	6.2	Lift motor rating at S3 15 %	kW	3.2	3.2	6.4	6.4
	6.4	Battery voltage/nominal capacity K5	V/Ah	24/625	24/625	24/700	24/700
	6.5	Battery weight	kg	466	466	557	557
Addition data	10.7	Sound pressure level at the driver's seat	dB(A)	69	69	69	69

Note : * without auxiliary lift

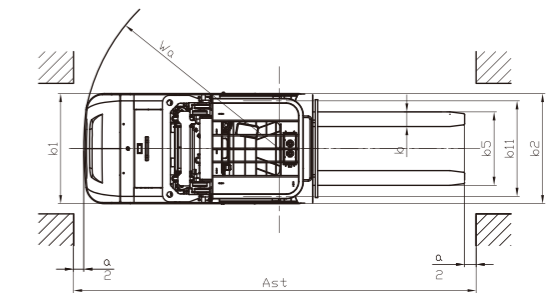
CJD10-AC1-M1



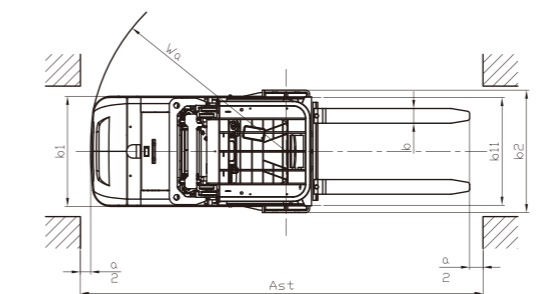
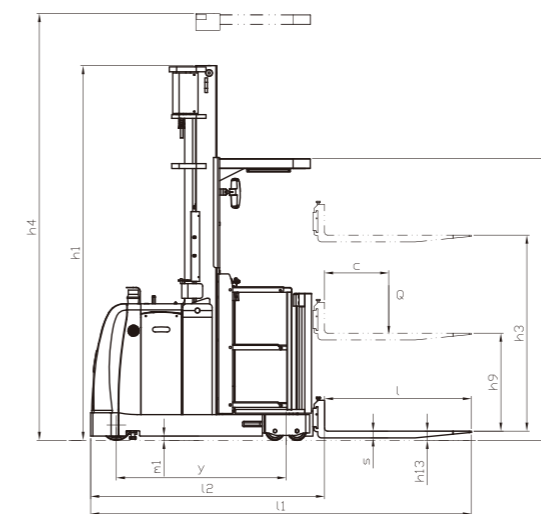
CJD10-AC1-M1K



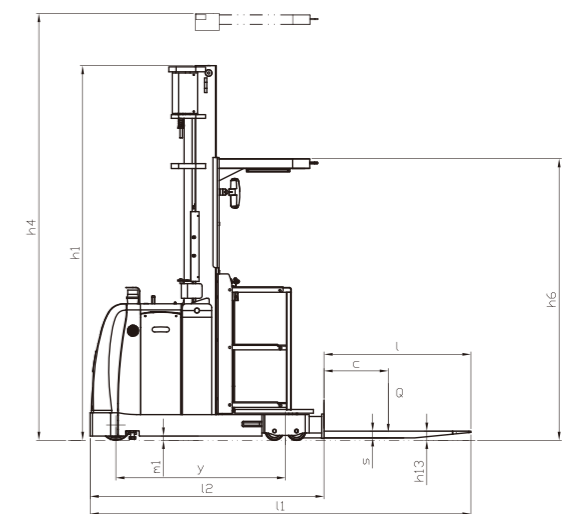
Without auxiliary lift



CJD10-AC2-M2



CJD10-AC2-M2K



Without auxiliary lift

