



HANGCHA GROUP CO., LTD.

Factory site: 666 Xiangfu Road,
Hangzhou, Zhejiang, China (311305)

Tel: +86-571-88926735 88926755
Fax: +86-571-88926789 88132890

sales@hcforklift.com
www.hcforklift.com





Follow us on
Facebook



Follow us on
YouTube



Follow us on
WeChat



Available on the iPhone
App Store



GET IT ON
Google play



ISO45001
ISO45001:2018



ISO14001
ISO14001:2015



ISO9001
ISO9001:2015



HANGCHA trucks conform
to the European Safety
Requirements.

HANGCHA GROUP CO., LTD. reserves the right to make any changes without notice concerning colors, equipment, or specifications detailed in this brochure, or to discontinue individual models. The colors of trucks, delivered may differ slightly from those in brochures.

2024 VERSION 7/COPYRIGHT 2024/11

XF2 Series IC Counterbalanced Trucks

with capacity of 1,500 to 3,500kg

STAGE V
CERTIFIED



The World of Hangcha
SINCE 1956



FOR HIGH PERFORMANCE DURING WORKING



Appearance

A vivid and sturdy exterior inheriting the classic design, embodying innovative ideas, and bringing a strong high-tech impact.



Safe

/ The vehicle has a low center of gravity design and optimized operating vision. (small counterweight design, backward tilting counterweight design, optimized triplex mast design).

/ OPS system is provided for the standard configuration and optionally an adjustable speed limit range of several segments is provided.



Mast

Can be easily installed with J-hooks through a simple process.





***MORE VISION
MORE CONTROL
MORE GUARANTEE***

All-round visibility

Optimized design provides outstanding visibility in all directions.

COMFORTABLE

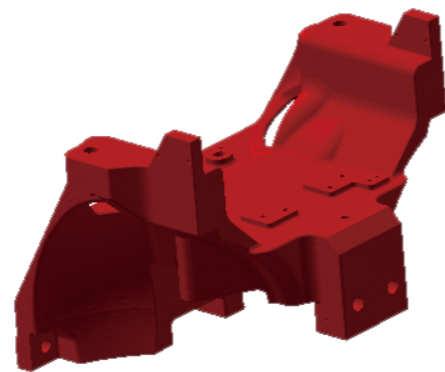
- / The fully-suspended gearbox, fully-suspended overhead guard, and fully-suspended seat realize three-stage vibration reduction to reduce vibration of the vehicle.
- / Noise control: Special sound-absorbing cotton is attached to certain parts and so on to decrease the vehicle's noise.
- / Optimized ergonomic design, enlarged cab space, an optional new-generation fingertip operating system.



The fully-suspended gearbox



Fully-suspended overhead guard



Cast steering axle mounts

Truck Construction

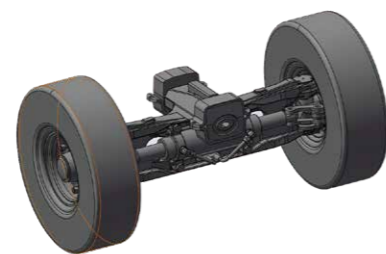
With the novel designed cast steering axle mounts, the center of gravity is lowered, and the vehicle's noise radiation is reduced. An integrated fully-suspended overhead guard is provided for the standard configuration, and customers can choose cab. Large plate stamping and molding processes and automatic welding technology are used to enable a stylish exterior.

Control system

- / Breaking through the limitation of the traditional steering axle structure, the newly developed cast open steering axle has the maximum internal turning angle increased from 77° to 82°, it can help customers work in narrow space.
- / With the cast open steering axle, the oil cylinder can be replaced easily, and the vehicle has a low center of gravity and good stability.
- / The steering axle is installed with pads, which effectively improve the operation comfort and reliability.
- / Parking brake: A central brake requiring less operating force.



An optional pedal parking brake

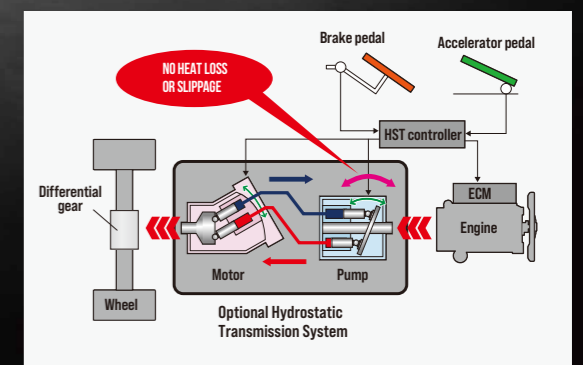


Cast steering axle



Optional hydrostatic transmission system

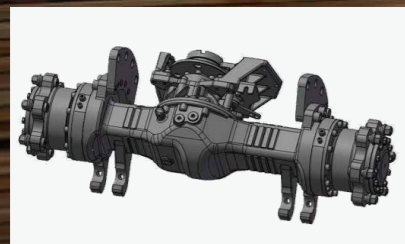
- / In this system, the engine drives a hydraulic pump and the pressure is transferred to a hydraulic motor mounted on the drive axle, then the motor outputs traction to the drive wheels via a gear reducer and a differential.
- / As this system has no clutch to be used by the hydraulic transmission forklift truck, it does not cause heat loss and wear from inching operation, minimizing transmission losses and reducing fuel consumption.
- / The hydrostatic drive system will automatically brake when the accelerator is released, leading to less wear and tear on the brake and tyres, and longer service life.
- / Equipped with the adjustable speed setting and turning deceleration function, driving safety can be ensured from all aspects.
- / Three operating modes (E, N, S) are freely selectable, providing simple and precise control and allowing optimal working efficiency in a wide range of operating conditions.



THE POWER TO PERFORM

Reliable

- / A wet axle is developed and used to significantly improve the reliability of the braking system and force transmission structural parts. (Wet brake, custom high-strength bolts, wheel side planetary reducer).
- / Wet brake drive axle + enhanced SHAOCHI/OKAMURA enhanced gearbox. Both the drive axle and the gearbox are expected to have a service life of far longer than 10 years, and the wet brake 10 years. Enhanced four-piece rims are used.



Wet brake drive axle

Hydraulic

A high-pressure hydraulic system and load-sensing steering-priority-ensured multiway valves are used to improve system efficiency. A low-noise Shimadzu gear pump can improve reliability and reduce noise. All joints are 24° conic joints and each high-pressure pipe joint has a pressure measuring port, to enable better sealing and maintainability.



E SERIES engines and an enhanced gearbox are developed and used to significantly improve the reliability of the power train. (E series engines match the enhanced F gearbox and new Okamura gearbox).



High Power



Heat Dissipation

Power

- / The highly cost-effective Xinchai 3E22 diesel engine meets EU V emission requirements.
- / The engine has been tested for 10000h in total for reliability validation in several round, the reliability has been fully verified. It is worth mentioning that the diesel engine has been tested in Jinan testing center and Bosch Wuxi test bench for 3000h. The diesel engine has excellent reliability, and is rated as Bosch off-road project 'BES' award.
- / A plate-fin heat dissipater with less air resistance is developed, which has a heat dissipation efficiency increased by 15%.



0.44%

Very low dilution ratio of engine oil, the oil dilution ratio after single regeneration is only 0.44%, much lower than the value of 20% specified in the national standard, the oil change interval of E series diesel engine up to 500h.



5,000h

DPF has a long maintenance interval. Based on excellent engine raw emission level and regeneration strategy, the ash cleaning interval up to 5000h.



DPF



E series engine

FULLY AUTOMATED

Electrical system

- / Streamer LED taillights are developed and used to make the vehicle more ethereal with a strong high-tech impact.
- / The new-generation high-efficiency energy-saving novel combination LED lighting system is energy-saving, while the performance and service life of the lights are significantly improved.
- / In order to improve the protection level, and connectors are all waterproof.



Streamer LED taillights

Intelligent

- / Interactive instruments are provided for the standard configuration, to display the operating status of the vehicle, and realize the information interaction of the vehicle.
- / An intelligent controller can realize the functions of OPS system, and flameout for idle speed time out, and can have other optional functions of speed control, speed limiting for faults, lifting at a high idle speed, automatic fork leveling, etc.



New interactive instruments



Standards

Truck	Transmission	Steering	Power	Body
<ul style="list-style-type: none"> / Reinforced wheel rim / Mechanical handbrake / Dynamic load sending control valve 	<ul style="list-style-type: none"> / Fully-suspended gearbox 	<ul style="list-style-type: none"> / Wet braking drive axle / Fully hydraulic power steering gear / Open cast steering axle / Steering wheel adjusting device 	<ul style="list-style-type: none"> / High-efficiency air filter / High-efficiency air intake silencer / Low-position exhauster / Fan protection device 	<ul style="list-style-type: none"> / Traction pin / Counterweight grille cover / Lockable hood
Hydraulic	Electrical	Portal	Overhead Guard	Mast
<ul style="list-style-type: none"> / Electro-hydraulic steering / Low-noise gear pump / High-pressure hydraulic system / Hydraulic oil recycling filter 	<ul style="list-style-type: none"> / Multifunctional interactive instruments(EU StageV) / Combination LED lighting system / Integrated combination switch / Main power switch / Soft landing / OPS system 	<ul style="list-style-type: none"> / Speed limiting valve of the mast 	<ul style="list-style-type: none"> / PVC ceiling / Fully-suspended overhead guard / Right rear armrest with horn button 	<ul style="list-style-type: none"> / Full free duplex mast / Different length of fork / Triplex mast / Wider fork carriage / Heightened load backrest / Duplex mast

1.5-1.75t XF2 series mast:(pneumatic)

Type	Model	Max. Fork Height	Overall height						Free lift		Front Overhang		Tilt range		Capacity			
			Lowered	Extended		Without backrest		With backrest	Without backrest	With backrest	1.5t	1.75t	FWD	BWD	load capacity at 500mm		1.5t	1.75t
				1.5t	1.75t	kg	kg											
Wide view mast	X2B15/18M200	2000	1495	2548	2548	2958	155	155	155	405	410	6	6	1500	1750	1500	1750	
	X2B15/18M250	2500	1745	3048	3048	3458	155	155	155	405	410	6	11	1500	1750	1500	1750	
	X2B15/18M270	2700	1845	3248	3248	3658	155	155	155	405	410	6	11	1500	1750	1500	1750	
	X2B15/18M300	3000	1995	3548	3548	3958	155	155	155	405	410	6	11	1500	1750	1500	1750	
	X2B15/18M330	3300	2145	3848	3848	4258	155	155	155	405	410	6	11	1500	1750	1500	1750	
	X2B15/18M350	3500	2245	4048	4048	4458	155	155	155	405	410	6	11	1500	1750	1500	1750	
	X2B15/18M360	3600	2345	4148	4148	4558	155	155	155	405	410	6	11	1500	1750	1500	1750	
	X2B15/18M370	3700	2395	4248	4248	4658	155	155	155	405	410	6	11	1500	1750	1500	1750	
	X2B15/18M400	4000	2595	4548	4548	4958	155	155	155	405	410	6	11	1500	1750	1500	1750	
	X2B15/18M430	4300	2745	4848	4848	5258	155	155	155	405	410	6	6	1500	1750	1500	1750	
	X2B15/18M450	4500	2845	5048	5048	5458	155	155	155	405	410	6	6	1500	1750	1500	1750	
	X2B15/18M470	4700	2945	5248	5248	5658	155	155	155	405	410	6	6	1450	1600	1450	1650	
	X2B15/18M490	4900	2995	5348	5348	5758	155	155	155	405	410	6	6	1350	1600	1450	1650	
	X2B15/18M500	5000	3095	5548	5548	5958	155	155	155	405	410	3	6	1300	1550	1300	1600	
	Wide view full free duplex mast	X2B15/18M550	5500	3345	6048	6048	6458	155	155	155	405	410	3	6	1300	1550	1300	1550
X2B15/18M600		6000	3595	6548	6548	6958	155	155	155	405	410	3	6	/	/	1150	1400	
X2B15/18L200		2000	1510	2574	2684	2945	936	826	565	405	410	6	6	1500	1750	1500	1750	
X2B15/18L250		2500	1760	3074	3184	3445	1196	1076	815	405	410	6	11	1500	1750	1500	1750	
X2B15/18L270		2700	1860	3274	3384	3645	1296	1176	915	405	410	6	11	1500	1750	1500	1750	
X2B15/18L300		3000	2010	3574	3684	3945	1436	1326	1055	405	410	6	11	1500	1750	1500	1750	
X2B15/18L330		3300	2160	3874	3984	4245	1586	1476	1215	405	410	6	11	1500	1750	1500	1750	
X2B15/18L350		3500	2260	4074	4184	4445	1686	1576	1315	405	410	6	11	1500	1750	1500	1750	
X2B15/18L360		3600	2310	4174	4284	4545	1736	1626	1365	405	410	6	11	1500	1750	1500	1750	
X2B15/18L370		3700	2360	4274	4384	4645	1786	1676	1415	405	410	6	11	1500	1750	1500	1750	
X2B15/18L400		4000	2560	4574	4684	4945	1986	1876	1615	405	410	6	11	1500	1750	1500	1750	
X2B15/18N400		4000	1945	4584	4584	4955	1371	1371	1000	413	418	6	6	1500	1750	1500	1750	
X2B15/18N430		4300	2045	4884	4884	5255	1471	1471	1100	413	418	6	6	1500	1750	1500	1750	
X2B15/18N450		4500	2095	5084	5084	5455	1521	1536	1150	413	418	6	6	1500	1750	1500	1750	
X2B15/18N470		4700	2195	5284	5284	5655	1621	1596	1250	413	418	6	6	1350	1500	1450	1650	
X2B15/18N480	4800	2195	5384	5384	5755	1621	1621	1250	413	418	6	6	1300	1500	1450	1650		
X2B15/18N500	5000	2295	5584	5584	5955	1721	1721	1350	413	418	6	6	1250	1450	1350	1600		
X2B15/18N550	5500	2445	6084	6084	6455	1871	1871	1500	413	418	3	6	950	1200	1250	1550		
X2B15/18N600	6000	2645	6584	6584	6955	2071	2071	1700	413	418	3	6	700	850	1150	1400		
X2B15/18N650	6500	2845	7084	7084	7455	2271	2271	1900	413	418	3	6	/	/	900	950		
X2B15/18N700	7000	3095	7605	7605	7955	2500	2500	2150	413	418	3	6	/	/	550	650		

With sideshifter minus 150kg,with integral sideshifter minus 100kg.

Options

Truck	Power	Hydraulic	Electrical
<ul style="list-style-type: none"> / Cab / Heater / Front windshield and wiper / Customer paint / Solid tire / Fan / Dual air filter / Low-temperature starting battery / LED rear working light / Fully-suspended seat / Fire extinguisher (1kg) 	<ul style="list-style-type: none"> / High-position exhauster 	<ul style="list-style-type: none"> / 5th valve 	<ul style="list-style-type: none"> / External spark extinguisher / Multi-segment adjustable speed limit / Blue light / Audible and visual alarm

2.0-2.5t XF2 series mast:(pneumatic)

Type	Model	Max. Fork Height	Overall height						Free lift		Front Overhang		Tilt range		Capacity			
			Lowered	Extended		Without backrest		With backrest	Without backrest	With backrest	1.5t	1.75t	FWD	BWD	load capacity at 500mm		2.0t	2.5t
				2.0t	2.5t	kg	kg											
Wide view mast	X2B25M200	2000	1515	2642	3046	3446	140	140	462.5	6	6	2000	2500	2000	2500			
	X2B25M250	2500	1765	3142	3546	140	140	462.5	6	11	2000	2500	2000	2500				
	X2B25M270	2700	1865	3342	3746	140	140	462.5	6	11	2000	2500	2000	2500				
	X2B25M300	3000	2015	3642	4046	140	140	462.5	6	11	2000	2500	2000	2500				
	X2B25M330	3300	2165	3942	4346	140	140	462.5	6	11	2000	2500	2000	2500				
	X2B25M350	3500	2265	4142	4546	140	140	462.5	6	11	2000	2500	2000	2500				
	X2B25M370	3700	2415	4342	4746	140	140	462.5	6	11	2000	2500	2000	2500				
	X2B25M400	4000	2615	4642	5046	140	140	462.5	6	11	2000	2500	2000	2500				
	X2B25M430	4300	2765	4942	5346	140	140	462.5	6	6	2000	2500	2000	2500				
	X2B25M450	4500	2865	5142	5546	140	140	462.5	6	6	2000	2500	2000	2500				
	X2B25M470	4700	2965	5342	5746	140	140	462.5	6	6	2000	2500	2000	2500				
	X2B25M480	4800	3015	5442	5846	140	140	462.5	6	6	1900	2200	1950	2450				
	X2B25M500	5000	3115	5642	6046	140	140	462.5	6	6	1850	1900	1900	2400				
	X2B25M550	5500	3365	6142	6546	140	140	462.5	3	6	/	/	1800	2300				
	X2B25M600	6000	3615	6642	7046	140	140	462.5	3	6	/	/	1600	1800				
Wide view full free duplex mast	X2B25U200	2000	1515	2656	3046	860	469	462.5	6	6	2000	2500	2000	2500				
	X2B25U250	2500	1765	3156	3546	1110	719	462.5	6	11	2000	2500	2000	2500				
	X2B25U270	2700	1865	3356	3746	1210	819	462.5	6	11	2000	2500	2000	2500				
	X2B25U300	3000	2015	3656	4046	1360	969	462.5	6	11	2000	2500	2000	2500				
	X2B25U330	3300	2165	3956	4346	1510	1119	462.5	6	11	2000	2500	2000	2500				
	X2B25U350	3500	2265	4156	4546	1610	1219	462.5	6	11	2000	2500	2000	2500				
	X2B25U370	3700	2365	4356	4746	1710	1319	462.5	6	11	2000	2500	2000	2500				
	X2B25U400	4000	2565	4656	5046	1910	1519	462.5	6	11	2000	2500	2000	2500				
	X2B25N400	4000	1930	4656	5046	1275	884	469.5	6	6	2000	2500	2000	2500				
	X2B25N430	4300	2030	4956	5346	1375	984	469.5	6	6	2000	2500	2000	2500				
Wide view full free triplex mast	X2B25N450	4500	2080	5156	5546	1425	1034	469.5	6	6	2000	2500	2000	2500				
	X2B25N470	4700	2180	5356	5746	1525	1134	469.5	6	6	2000	2500	2000	2500				
	X2B25N480	4800	2180	5456	5846	1524	1134	469.5	6	6	1850	2200	1900	2450				
	X2B25N500	5000	2280	5656	6046	1625	1234	469.5	6	6	1750	1900	1850	2400				
	X2B25N550	5500	2430	6156	6546	1775	1384											

Technical Data

		HANGCHA GROUP CO.,LTD.											
Distinguishing mark	1.1	Manufacturer											
	1.2	Manufacturer's type designation	CPCD15-X2H7F1/B1	CPCD18-X2H7F1/B1	CPCD20-X2H7F1/B1	CPCD25-X2H7F1/B1	CPCD30-X2H7F1/B1	CPCD35-X2H7F1/B1	CPCJ20-X2H7	CPCJ25-X2H7	CPCJ30-X2H7	CPCJ35-X2H7	
	1.3	Drive: electric (battery or mains), diesel, petrol, fuel gas	Diesel	Diesel	Diesel	Diesel	Diesel	Diesel	Diesel	Diesel	Diesel	Diesel	
	1.5	Rated capacity/rated load	Q (kg)	1500	1750	2000	2500	3000	3500	2000	2500	3000	3500
	1.6	Load centre distance	c (mm)	500	500	500	500	500	500	500	500	500	500
	1.8	Load distance, centre of drive axle to fork	x (mm)	405	410	462.5	462.5	477.5	482.5	462.5	462.5	477.5	482.5
		Rear overhang	mm	405	430	405	480	535	600	405	480	535	600
	1.9	Wheelbase	y (mm)	1475	1475	1650	1650	1700	1700	1650	1650	1700	1700
Weight	2.1	Service Weight	kg	2750	2900	3455	3815	4400	4755	3455	3815	4400	4755
	2.2	Axle loading, laden front/rear	kg	3700/550	4110/540	4801/654	5543/772	6345/1055	7155/1100	4801/654	5543/772	6345/1055	7155/1100
	2.3	Axle loading, unladen front/rear	kg	1280/1470	1280/1620	1635/1820	1585/2230	1620/2780	1620/3135	1635/1820	1585/2230	1620/2780	1620/3135
Tyres, chassis	3.2	Tyre size, front		6.50-10-10 PR/2	6.50-10-10 PR/2	7.00-12-12PR/2	7.00-12-12PR/2	28×9-15-14PR/2	28×9-15-14PR/2	7.00-12-12PR/2	7.00-12-12PR/2	28×9-15-14PR/2	28×9-15-14PR/2
	3.3	Tyre size, rear		5.00-8-10PR/2	5.00-8-10PR/2	6.00-9-10PR/2	6.00-9-10PR/2	6.50-10-10PR/2	6.50-10-10PR/2	6.00-9-10PR/2	6.00-9-10PR/2	6.50-10-10PR/2	6.50-10-10PR/2
	3.6	Tread, front	b ₀ (mm)	920	920	965	965	1005	1005	965	965	1005	1005
	3.7	Tread, rear	b ₁ (mm)	940	940	973	973	975	975	973	973	975	975
Dimensions	4.1	Tilt of mast/fork carriage forward/backward	α/β(°)	6/11	6/11	6/11	6/11	6/11	6/11	6/11	6/11	6/11	6/11
	4.2	Height, mast lowered	h ₁ (mm)	1995	1995	2015	2015	2040	2155	2015	2015	2040	2155
	4.3	Free lift	h ₂ (mm)	155	155	140	140	145	150	140	140	145	150
	4.4	Lift	h ₃ (mm)	3000	3000	3000	3000	3000	3000	3000	3000	3000	3000
	4.5	Height, mast extended	h ₄ (mm)	3958	3958	4046	4046	4145	4145	4046	4046	4145	4145
	4.7	Height of overhead guard	h ₅ (mm)	2155	2155	2165	2165	2180	2180	2165	2165	2180	2180
	4.20	Length to face of forks	l ₂ (mm)	2285	2315	2517.5	2592.5	2712.5	2782.5	2517.5	2592.5	2712.5	2782.5
	4.21	Overall width	b (mm)	1110	1110	1155	1155	1225	1225	1155	1155	1225	1225
	4.22	Fork dimensions	s/e/l (mm)	920×100×35	920×100×35	1070×122×40	1070×122×40	1070×122×45	1070×122×50	1070×122×40	1070×122×40	1070×122×45	1070×122×50
	4.25	Distance between fork-arms	mm	200-1000	200-1000	244-1038	244-1038	244-1100	244-1100	244-1038	244-1038	244-1100	244-1100
	4.24	Fork-carriage width	b ₃ (mm)	1000	1000	1038	1038	1100	1100	1038	1038	1100	1100
	4.31	Ground clearance, laden, below mast	m ₁ (mm)	115	115	115	115	130	130	115	115	130	130
	4.32	Ground clearance, centre of wheelbase	m ₂ (mm)	150	150	150	150	165	165	150	150	165	165
	4.33	Aisle width for pallets 1000 x 1200 crossways	A ₁ (mm)	3595	3620	3822.5	3892.5	4027.5	4097.5	3822.5	3892.5	4027.5	4097.5
	4.34	Aisle width for pallets 800 x 1200 lengthways	A ₂ (mm)	3795	3820	4022.5	4092.5	4227.5	4297.5	4022.5	4092.5	4227.5	4297.5
4.35	Turning radius	W _s (mm)	1990	2010	2160	2230	2350	2415	2160	2230	2350	2415	
Performance data	5.1	Travel speed, laden/unladen	km/h	19/20	19/20	19/20	19/20	19/20	19/20	20/21	20/21	21/22	21/22
	5.2	Lift speed, laden/unladen	m/s	0.62/0.68	0.62/0.68	0.62/0.66	0.62/0.66	0.54/0.57	0.44/0.47	0.62/0.66	0.62/0.66	0.54/0.57	0.44/0.47
	5.3	Lowering speed, laden/unladen	m/s	0.45/0.50	0.45/0.50	0.45/0.50	0.45/0.50	0.45/0.50	0.45/0.50	0.45/0.50	0.45/0.50	0.45/0.50	0.45/0.50
	5.5	Drawbar pull, laden/unladen	N	14000/10000	14000/10000	23000/12500	23000/12500	24500/14000	24500/14000	22000/14000	22000/14000	26000/16000	26000/16000
	5.7	Gradeability, laden/unladen*	%	24/25	22/25	36/25	32/25	28/22	22/22	36/25	32/25	28/25	24/25
Combustion-engine	7.1	Engine manufacturer/type	XINCHAI 3E22YG51P464				XINCHAI 3E22YG51				XINCHAI 3E22YG51		
		Emission STD	EU StageV	EU StageV	EU StageV	EU StageV	EU StageV	EU StageV	EU StageV	EU StageV	EU StageV	EU StageV	EU StageV
	7.2	Engine power according to DIN ISO 1585	kw	34	34	44.8	44.8	44.8	44.8	44.8	44.8	44.8	44.8
	7.3	Rated speed	min	2400	2400	2400	2400	2400	2400	2400	2400	2400	2400
	7.4	Number of cylinders/displacement	(-)/(cm ³)	3/2227	3/2227	3/2227	3/2227	3/2227	3/2227	3/2227	3/2227	3/2227	3/2227
	7.10	Battery voltage/nominal capacity	V/Ah	12/90	12/90	12/90	12/90	12/90	12/90	12/90	12/90	12/90	12/90
		Rated torque	N·m/r/min	150/1600-1800	150/1600-1800	210/1600-1800	210/1600-1800	210/1600-1800	210/1600-1800	210/1600-1800	210/1600-1800	210/1600-1800	210/1600-1800
		Bore × stroke	mm	94×107	94×107	94×107	94×107	94×107	94×107	94×107	94×107	94×107	94×107
		Transmissions Manufacturer		CHINA/OKAMURA	CHINA/OKAMURA	CHINA/OKAMURA	CHINA/OKAMURA	CHINA/OKAMURA	CHINA/OKAMURA	CHINA	CHINA	CHINA	CHINA
		Transmissions Type		Power shift	Power shift	Power shift	Power shift	Power shift	Power shift	Hydrostatic	Hydrostatic	Hydrostatic	Hydrostatic
	Stage FWD/RVS		1/1	1/1	1/1	1/1	1/1	1/1	1/1	1/1	1/1	1/1	
Addition data	10.1	Operating pressure for attachments	bar	160	160	160	160	160	160	160	160	160	
	10.4	Fuel tank capacity	liter	50	50	58	58	60	60	58	58	60	

Note: *With suspension seat or cabin
*As a calculated value

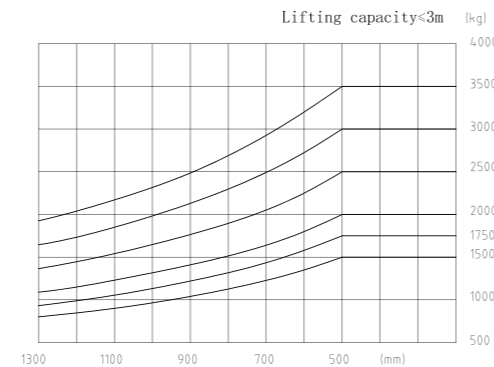
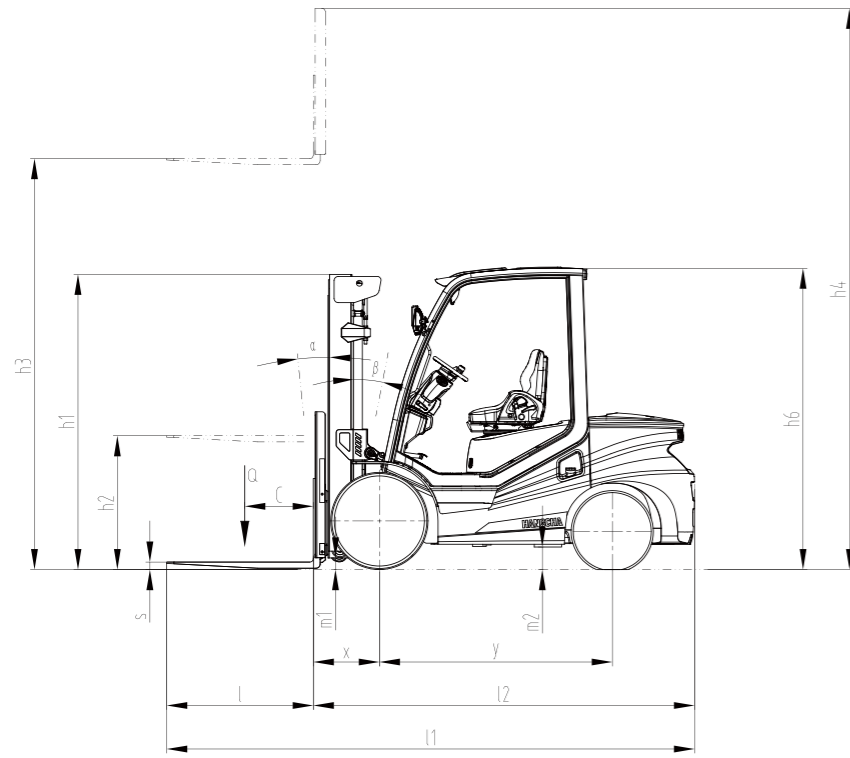
Technical Data

		HANGCHA GROUP CO.,LTD.							
Distinguishing mark	1.1	Manufacturer							
	1.2	Manufacturer's type designation	CPQYD15-X2H24F1/B1	CPQYD18-X2H24F1/B1	CPQYD20-X2H22F1/B1	CPQYD25-X2H22F1/B1	CPQYD30-X2H22F1/B1	CPQYD35-X2H22F1/B1	
	1.3	Drive: electric (battery or mains), diesel, petrol, fuel gas	LPG/GAS	LPG/GAS	LPG/GAS	LPG/GAS	LPG/GAS	LPG/GAS	
	1.5	Rated capacity/rated load	Q (kg)	1500	1750	2000	2500	3000	3500
	1.6	Load centre distance	c (mm)	500	500	500	500	500	500
	1.8	Load distance, centre of drive axle to fork	x (mm)	405	410	462.5	462.5	477.5	482.5
		Rear overhang	mm	405	430	405	480	535	600
	1.9	Wheelbase	y (mm)	1475	1475	1650	1650	1700	1700
Weight	2.1	Service Weight	kg	2750	2900	3455	3815	4400	4755
	2.2	Axle loading, laden front/rear	kg	3700/550	4110/540	4801/654	5543/772	6345/1055	7155/1100
	2.3	Axle loading, unladen front/rear	kg	1280/1470	1280/1620	1635/1820	1585/2230	1620/2780	1620/3135
Tyres, chassis	3.2	Tyre size, front		6.50-10-10 PR/2	6.50-10-10 PR/2	7.00-12-12PR/2	7.00-12-12PR/2	28×9-15-14PR/2	28×9-15-14PR/2
	3.3	Tyre size, rear		5.00-8-10PR/2	5.00-8-10PR/2	6.00-9-10PR/2	6.00-9-10PR/2	6.50-10-10PR/2	6.50-10-10PR/2
	3.6	Tread, front	b ₀ (mm)	920	920	965	965	1005	1005
	3.7	Tread, rear	b ₁ (mm)	940	940	973	973	975	975
Dimensions	4.1	Tilt of mast/fork carriage forward/backward	α/β(°)	6/11	6/11	6/11	6/11	6/11	6/11
	4.2	Height, mast lowered	h ₁ (mm)	1995	1995	2015	2015	2040	2155
	4.3	Free lift	h ₂ (mm)	155	155	140	140	145	150
	4.4	Lift	h ₃ (mm)	3000	3000	3000	3000	3000	3000
	4.5	Height, mast extended	h ₄ (mm)	3958	3958	4046	4046	4145	4145
	4.7	Height of overhead guard	h ₅ (mm)	2155	2155	2165	2165	2180	2180
	4.20	Length to face of forks	l ₂ (mm)	2285	2315	2517.5	2592.5	2712.5	2782.5
	4.21	Overall width	b ₁ (mm)	1110	1110	1155	1155	1225	1225
	4.22	Fork dimensions	s/e/l (mm)	920×100×35	920×100×35	1070×122×40	1070×122×40	1070×122×45	1070×122×50
	4.25	Distance between fork-arms	mm	200-1000	200-1000	244-1038	244-1038	244-1100	244-1100
	4.24	Fork-carriage width	b ₃ (mm)	1000	1000	1038	1038	1100	1100
	4.31	Ground clearance, laden, below mast	m ₁ (mm)	115	115	115	115	130	130
	4.32	Ground clearance, centre of wheelbase	m ₂ (mm)	150	150	150	150	165	165
	4.33	Aisle width for pallets 1000 x 1200 crossways	A ₁ (mm)	3595	3620	3822.5	3892.5	4027.5	4097.5
	4.34	Aisle width for pallets 800 x 1200 lengthways	A ₂ (mm)	3795	3820	4022.5	4092.5	4227.5	4297.5
4.35	Turning radius	W _s (mm)	1990	2010	2160	2230	2350	2415	
Performance data	5.1	Travel speed, laden/unladen	km/h	20/21	20/21	20/21	20/21	19/20	19/20
	5.2	Lift speed, laden/unladen	m/s	0.65/0.68	0.65/0.68	0.65/0.68	0.65/0.68	0.55/0.58	0.45/0.48
	5.3	Lowering speed, laden/unladen	m/s	0.45/0.50	0.45/0.50	0.45/0.50	0.45/0.50	0.45/0.50	0.45/0.50
	5.5	Drawbar pull, laden/unladen	N	15600/10000	15600/10000	18300/12500	18300/12500	19300/14000	19300/14000
	5.7	Gradeability, laden/unladen*	%	24/25	22/25	23/25	20/25	20/22	20/22
Combustion-engine	7.1	Engine manufacturer/type	GCT GK21 DUAL	GCT GK21 DUAL	GCT GK25 DUAL	GCT GK25 DUAL	GCT GK25 DUAL	GCT GK25 DUAL	GCT GK25 DUAL
		Emission STD	CARB Tier3/ EPA Tier2/ EU StageV						
	7.2	Engine power according to DIN ISO 1585	kw	LP: 43/G: 40	LP: 43/G: 40	LP: 47/G: 44.5	LP: 47/G: 44.5	LP: 47/G: 44.5	LP: 47/G: 44.5
	7.3	Rated speed	min	2700	2700	2700	2700	2700	2700
	7.4	Number of cylinders/displacement	(-)/(cm ³)	4/2065	4/2065	4/2488	4/2488	4/2488	4/2488
	7.10	Battery voltage/nominal capacity	V/Ah	12/60	12/60	12/60	12/60	12/60	12/60
		Rated torque	N·m/r/min	LP: 161/2000/G: 153/2000	LP: 161/2000/G: 153/2000	LP: 190/2000/G: 175/2000	LP: 190/2000/G: 175/2000	LP: 190/2000/G: 175/2000	LP: 190/2000/G: 175/2000
		Bore × stroke	mm	89×83	89×83	89×100	89×100	89×100	89×100
		Transmissions Manufacturer		CHINA/OKAMURA	CHINA/OKAMURA	CHINA/OKAMURA	CHINA/OKAMURA	CHINA/OKAMURA	CHINA/OKAMURA
		Transmissions Type		Power shift	Power shift	Power shift	Power shift	Power shift	Power shift
	Stage FWD/RVS		1/1	1/1	1/1	1/1	1/1	1/1	
Addition data	10.1	Operating pressure for attachments	bar	160	160	160	160	160	160
	10.4	Fuel tank capacity	liter	LP: 35/G: 50	LP: 35/G: 50	LP: 35/G: 50	LP: 35/G: 50	LP: 35/G: 50	LP: 35/G: 50

Note: *With suspension seat or cabin
*As a calculated value

Optional Engine

Engine manufacturer/type		XINCHAI/ 3E22Y651P464	XINCHAI/ 3E22Y651	GCT/GK21 LPG	GCT/GK21 DUAL	GCT/GK25 LPG	GCT/GK25 DUAL	KUBOTA/V2607-CR-E5B	GCT/GK25	
Manufacturer's type designation		H7	H7	H23	H24	H21	H22	W97	W22	
Drive		Diesel	Diesel	LPG	DUAL(GAS/LPG)	LPG	DUAL(GAS/LPG)	Diesel	DUAL(GAS/LPG)	
Emission STD		EU StageV	EU StageV	CARB SIP LSI-1/EPA Tier2/StageV	CARB SIP LSI-1/EPA Tier2/StageV	CARB SIP LSI-1/EPA Tier2/Stage V	CARB SIP LSI-1/EPA Tier2/Stage V	Stage V/Tier 4f	—	
Engine power		kW/r/min	34/2400	44.8/2400	43/2700	LP6: 43/2700 GAS: 40/2700	47/2700	LP6: 47/2700 GAS: 44.5/2700	38/2400	37.4/2300
Rated torque		N·m/r/min	150/1600-1800	210/1600-1800	161/2000	LP6: 161/2000 GAS: 153/2000	190/2000	LP6: 190/2000 GAS: 175/2000	171.5/1500	176.5/1600
Number of cylinders/displacement		ml	3/2227	3/2227	4/2065	4/2065	4/2488	4/2488	4/2615	4/2488
Transmission	Powershift	F	F1	✓	✓	✓	✓	✓	✓	✓
		OKAMURA	B1	✓	✓	✓	✓	✓	✓	✓
Rated capacity/rated load		Q (kg)	1500-1800	2000-3500	1500-1800	1500-1800	2000-3500	2000-3500	1500-3500	2000-3500



1.5-3.5t Load center distance

